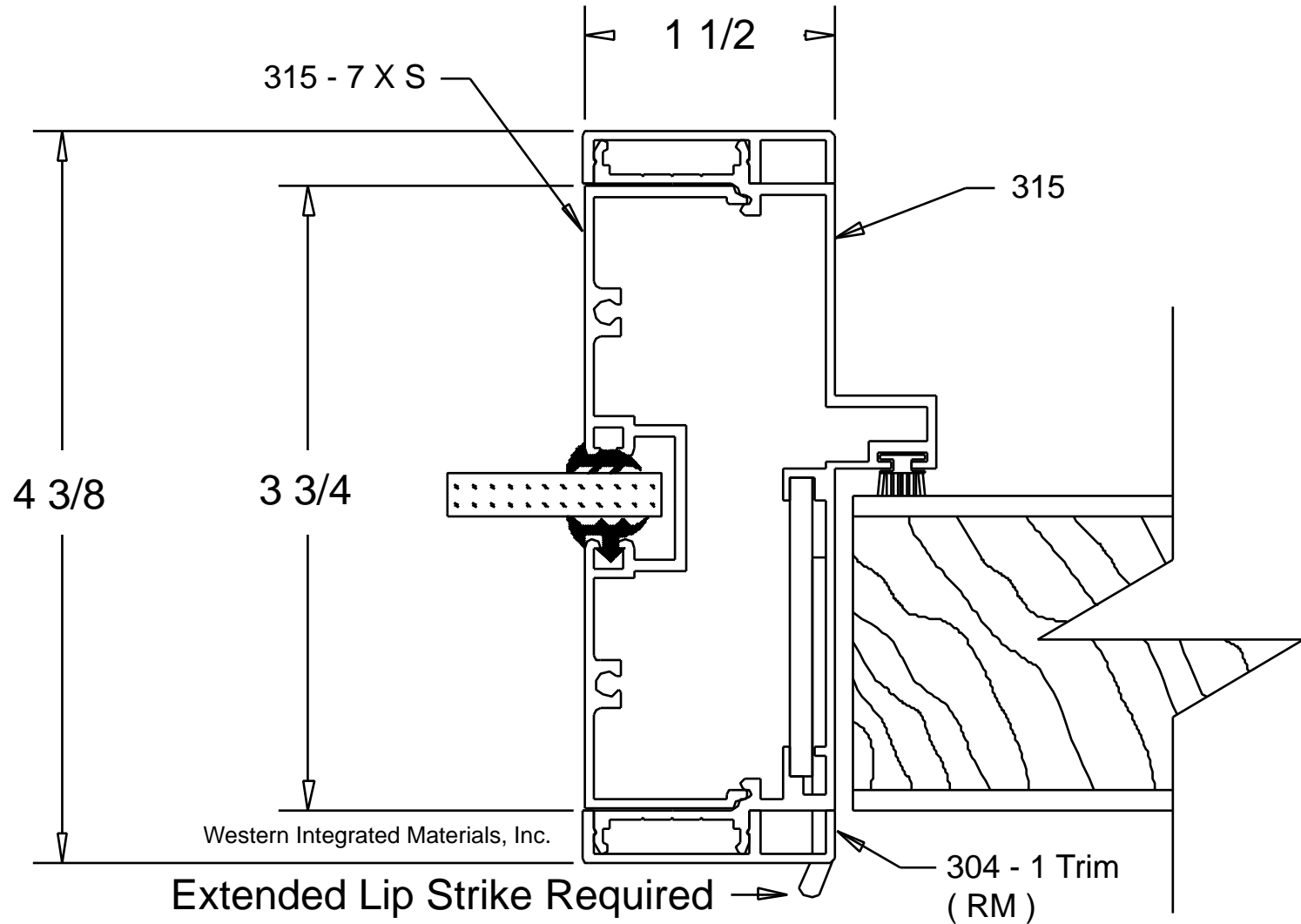


Western Integrated Materials, Inc.  
562.634.2823  
www.Western-Integrated.com  
www.AluminumDoorFrames.com

3-3/4 Door Frame Strike Mullion ( 1 1/2 Profile )  
with 1 1/2 Flush Trim ( Reversed Miter )



Note: Strike Trim must be notched at strike knock out ( done at factory )