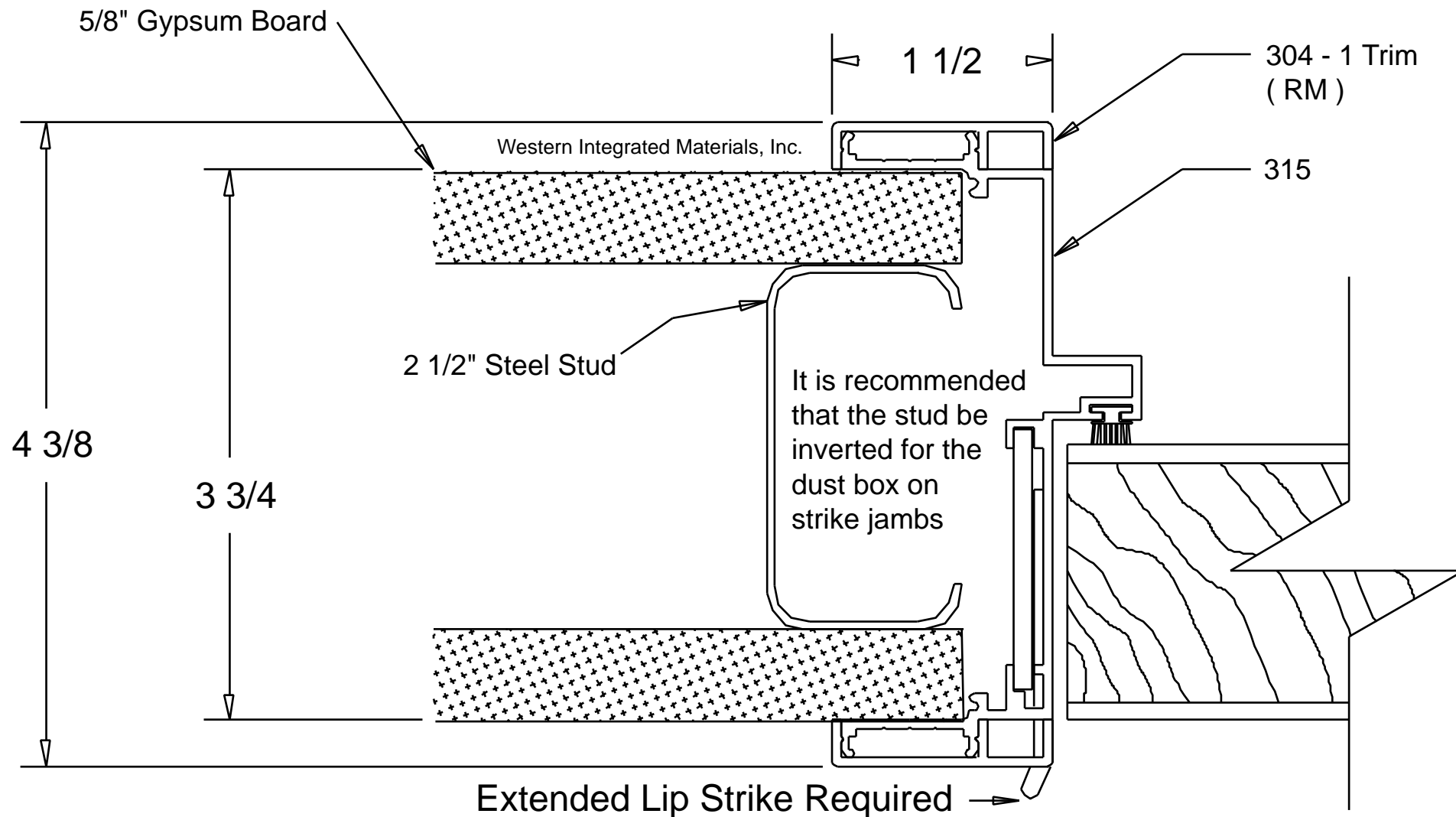


Western Integrated Materials, Inc.
562.634.2823
www.Western-Integrated.com
www.AluminumDoorFrames.com

3-3/4 Door Frame Strike Side Detail
with 1 1/2 Flush Trim (Reversed Miter)



Note: Strike Trim must be notched at strike knock out (done at factory)